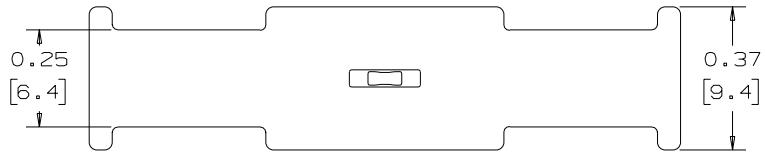
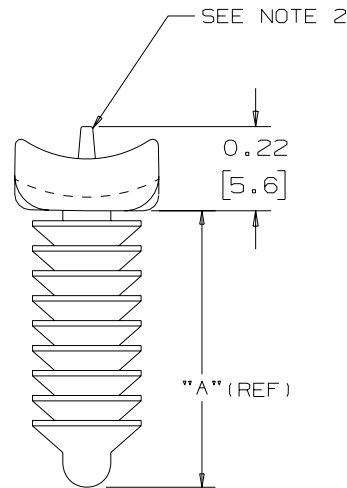
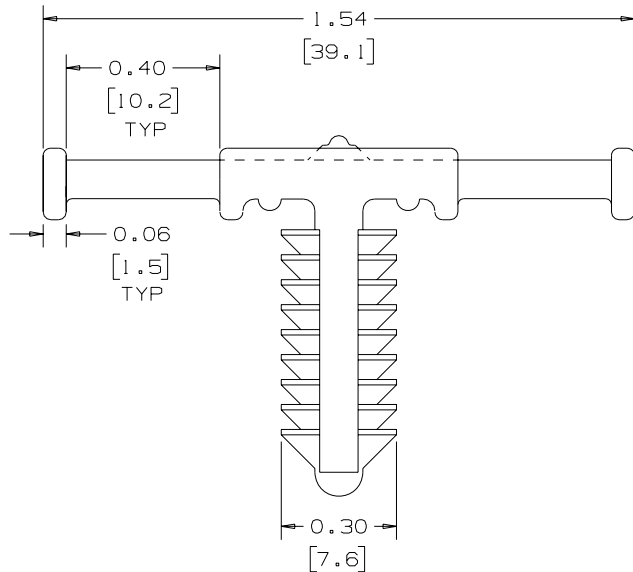


THIS COPY IS PROVIDED ON A RESTRICTED BASIS AND IS NOT TO BE USED IN ANY WAY DETRIMENTAL TO THE INTERESTS OF PANDUIT CORP.



PANDUIT PART NO. SEE NOTE 1	CHARACTERISTICS		RECOMMENDED HOLE DIA. IN. (mm)	RECOMMENDED PANEL SIZE IN. (mm)	WEIGHT LBS./ 100 PCS. (g)
	NO. of BARBS	A REF			
THMSC35- ---	5	0.46 [11.7]	0.244-0.268 [6.2-6.8]	0.024-0.250 [0.61-6.4]	0.230 (104)
THMSC35F- ---	5	0.46 [11.7]		0.024-0.250 [.61-6.4]	0.220 (103)
THMSC60F- ---	9	0.72 [18.3]		0.024-0.500 [.61-12.7]	0.250 (117)



NOTES:

1. SEE PART NUMBER SUFFIX DESIGNATIONS ON CURRENT PRICE SHEET FOR PACKAGE SIZE, PART COLOR AND PART MATERIAL.
2. SUFFIX 'F' AFTER PART SIZE INDICATES ABSENCE OF TAB WHERE SHOWN. (I.E. THMSC60F).
3. MATERIAL TABLE  
 -39 NYLON 6.6 HEAT STABILIZED NATURAL  
 -30 NYLON 6.6 HEAT STABILIZED BLACK

DIMENSIONS IN BRACKETS ARE METRIC [ mm ]

CAD FILENAME/LAYERS G00303BA\_PB\_THMSC\_07

7	3-7-08	TMSA		REMOVED -630 AND -639 FROM THE MATERIAL TABLE NOTE	GB0303BA	7			
6	12-21-06	TMSA		REVISED NOTE 3 MATERIAL TABLE	GB0303BA	6			
5	1/21/02	LGG		DELETED THMSC60, THMSC85, & THMSC85F	GB0303BA	5			
4	6/28/01	LGG		UPDATED FOR WEB	GB0303BA	4			
3	5/5/98	MLD		ADDED NOTE #3, CHANGED CAD FILE NAME FROM GB0303BA_PB_THMSC_02	GB0303BA	3			
2	11/8/93	JRL		CHG,D. PART NOS. TO REFLECT SUFFIX "F",	GB0303BA	2			
				ADDED WT. COLUMN & DIM. .22					
1	2/12/93	JRL		ADDED RECOMM. HOLE & PANEL SIZE	GB0303BA	1			
REV	DATE	BY	CHK	DESCRIPTION	ECN	R	CUST	SUP	O.C.



THMSC, THMSCF  
TIE HARNESS MOUNT

UNLESS OTHERWISE SPECIFIED,  
DIMENSIONAL TOLERANCES ARE:  
(.X) ±0.05 [1.3] (.XXX) ±0.010 [0.25]  
(.XX) ±0.02 [0.5] ANGLES ± 5°

UNLESS OTHERWISE SPECIFIED,  
ALL DIMENSIONS ARE GIVEN  
IN INCHES, THIRD ANGLE PROJECTION.

DRAWN BY TNT

MAT'L:

SCALE 2/1

DATE 11/24/92

SEE NOTE 3

DRAWING NO. GB0303BA

DWG SIZE A

CHK'D